

FIG. 1
(Prior Art)

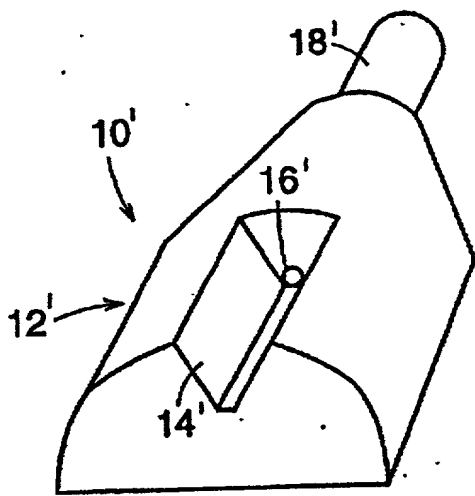


FIG. 2
(Prior Art)

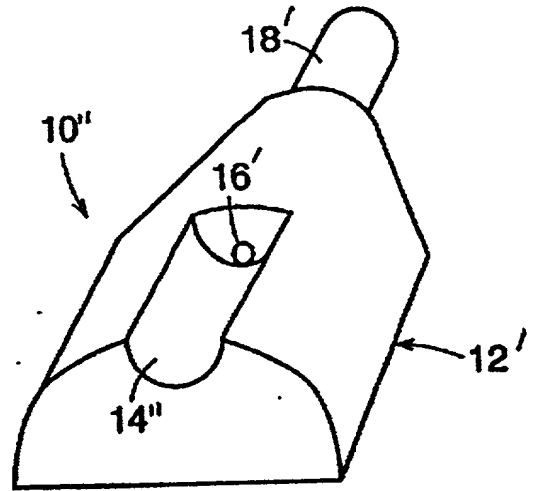


FIG. 3
(Prior Art)

This document is the property of the U.S. Patent and Trademark Office. It is loaned to you for your use only. It and its contents are not to be distributed outside your organization.

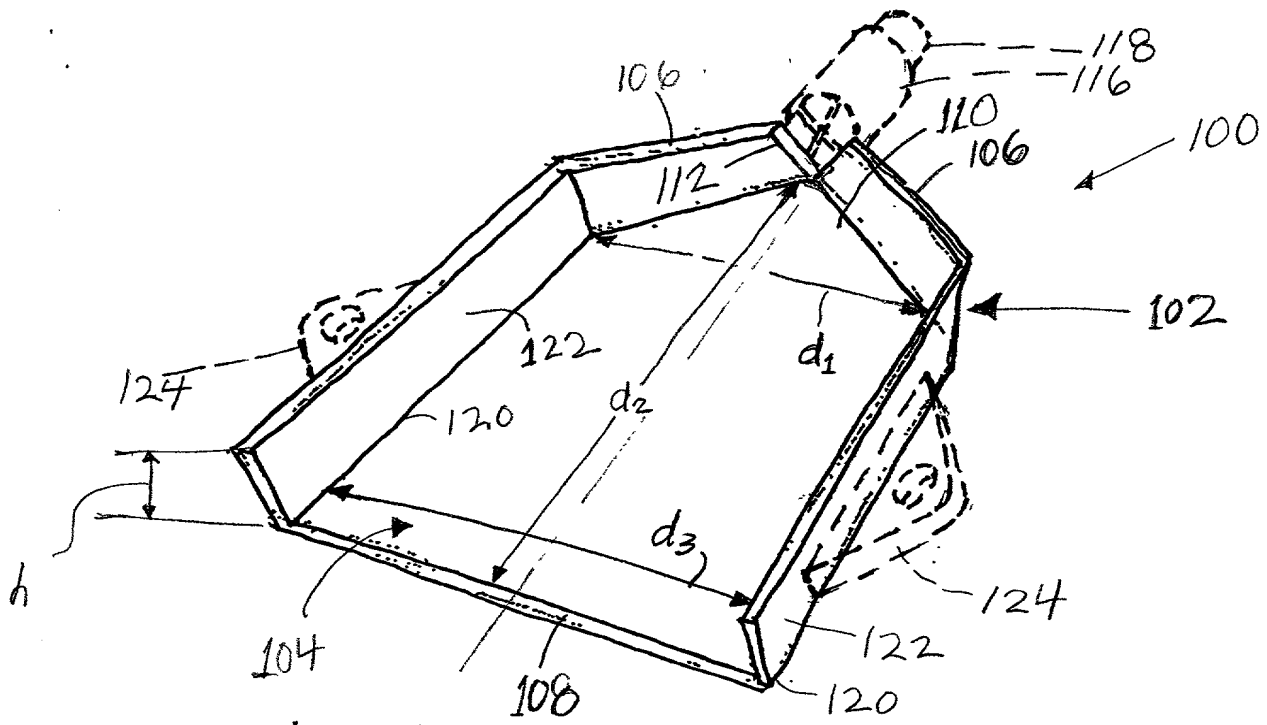


FIG. 4

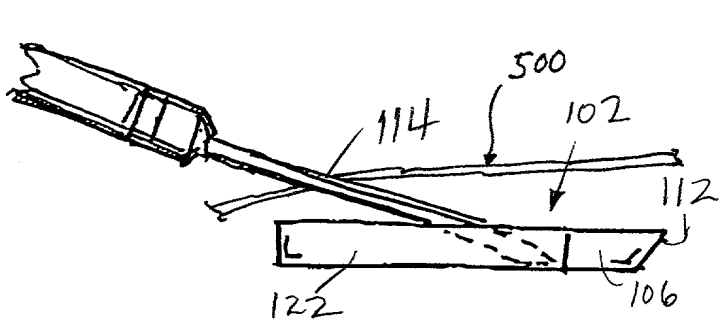


FIG. 5

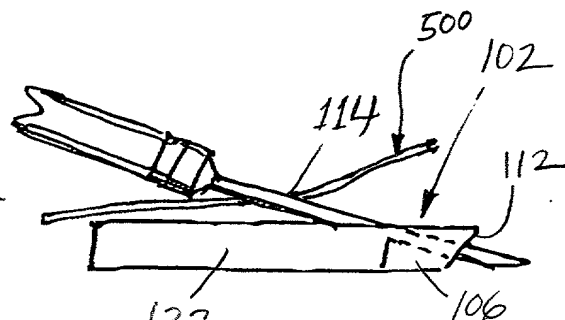


FIG. 6

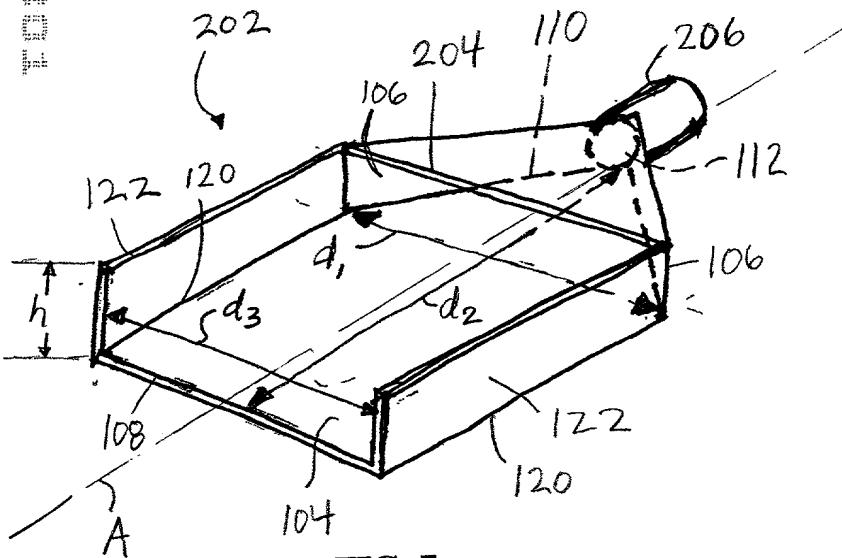


FIG. 7

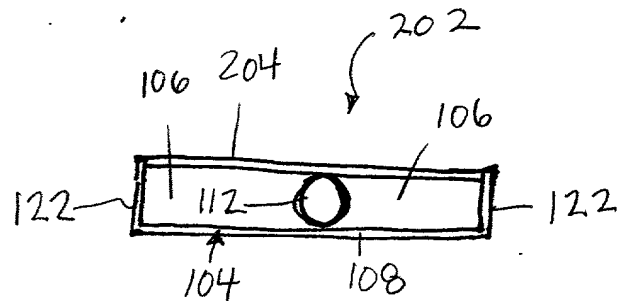


FIG. 8

Downloaded from ascelibrary.org by University of California, San Diego on 06/16/15. Copyright ASCE, For All Rights Reserved, No part of this document may be reproduced without the written permission of ASCE.

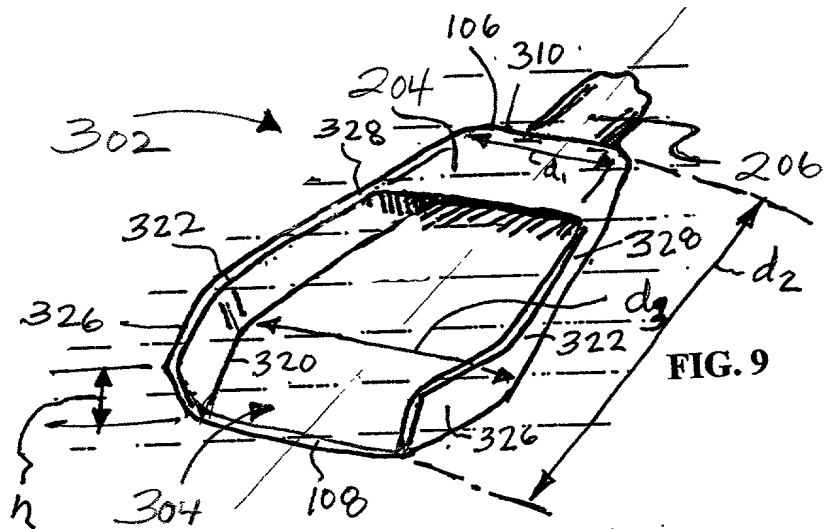


FIG. 9

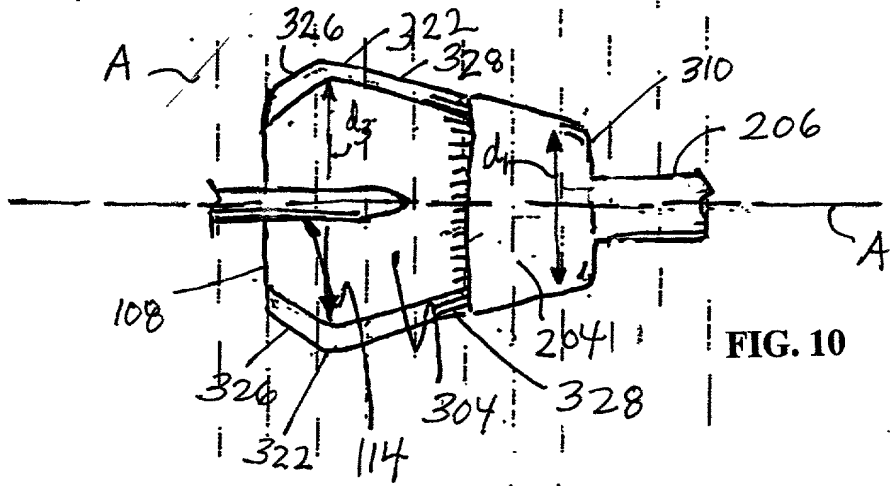


FIG. 10

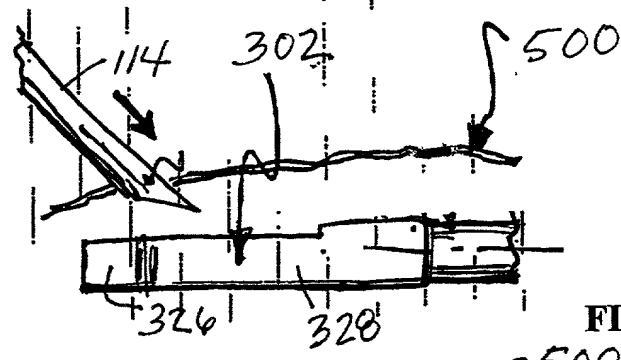


FIG. 11

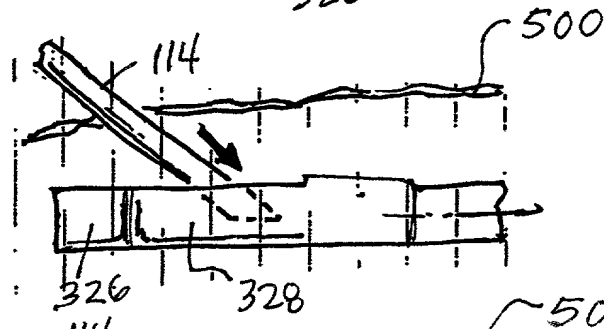


FIG. 12

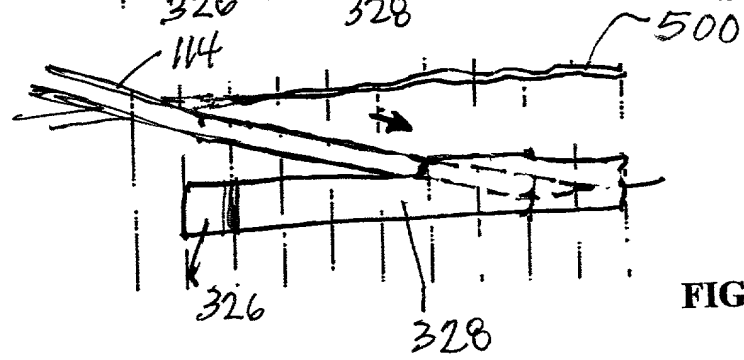


FIG. 13

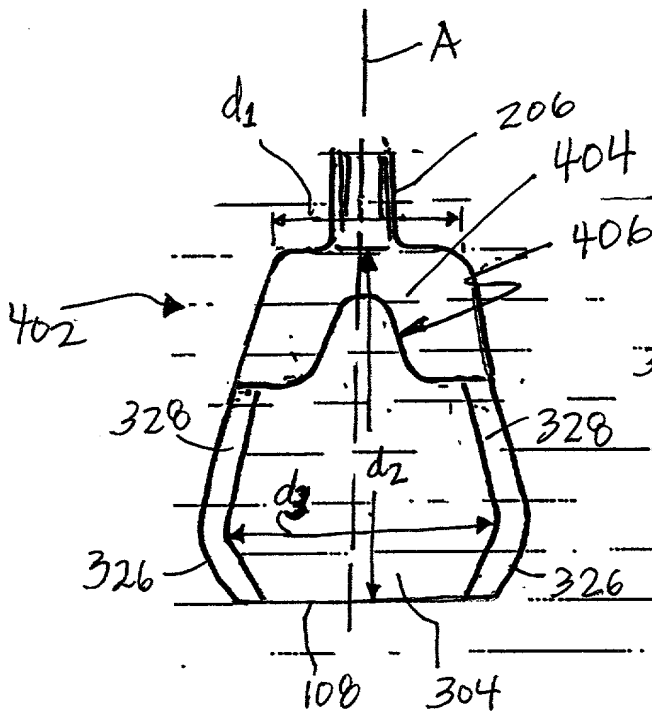


FIG. 14

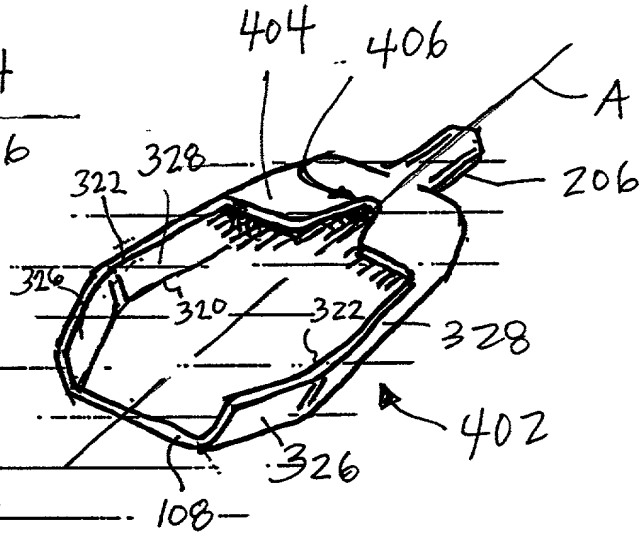


FIG. 15

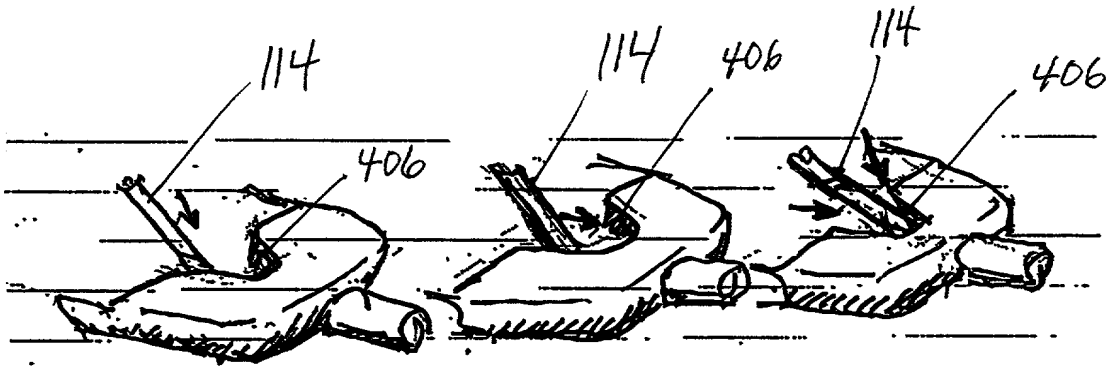


FIG. 16

FIG. 17

FIG. 18